

### IMPORTANT—Please read prior to installation

- 1) Please read these instructions carefully before commencing any work
- 2) This product must be installed by a qualified electrician in accordance with the current IEE wiring regulations
- 3) To prevent electrocution switch the power off at the mains supply before installing or maintaining this fitting
- 4) Ensure others cannot restore the electrical supply without your knowledge
- 5) The PSU must be rated 12VDC and be compatible with the pre-wired connector system of this product
- 6) Never exceed the wattage stated

### GENERAL

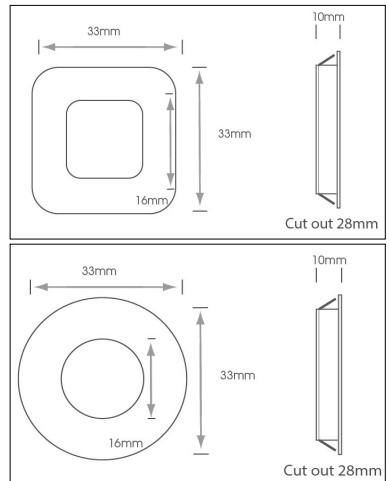
Item	Rated voltage/V	Rated power/W	LED numbers	IP Rating	Protection
SY8974 SY8975	12v DC	4×1W	1/LT	20	CLASS Ⅱ

### PRE—INSTALLATION

- 1) Prepare all the parts and tools required for the installation
- 2) Turn off power before installation.
- 3) If the housing or glass diffuser is broken or damaged do not use it.

### INSTALLATION with Diagrams

- 1) For recessed cut the diameter hole 28MM on the surface to which the light is being installed (without surface spacer part).
- 2) Put the wire through the hole
- 3) Connect the power with 12VDC driver & push the lamp into hole.
- 4) Ensure the body of the lamp is securely fixed on the face of installation, then restore the power and check operation.
- 5) For surface mounting or to install within a wall, use the supplied surface spacer and follow instructions 2-4 above.



**Please note that the LED driver is IP20**

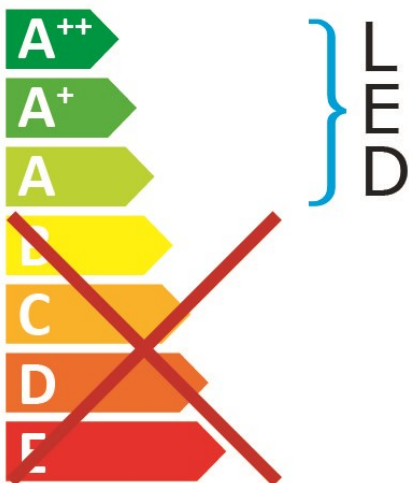
### CARE IN USE

- 1) Please note this fitting has non replaceable parts
- 2) Always switch off or disconnect from the mains when cleaning the product.
- 3) We recommend cleaning with a soft dry cloth. Do not use scourers, abrasives or chemical cleaners.

SycamoreLED SY8974/8975



This luminaire contains built-in LED lamps.



The lamps cannot be changed in the luminaire.

874/2012

